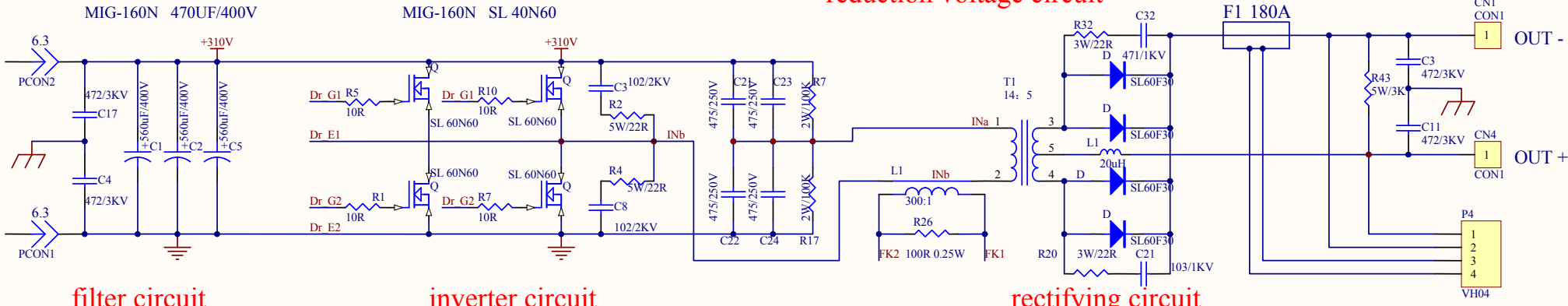


DC310V

reduction voltage circuit

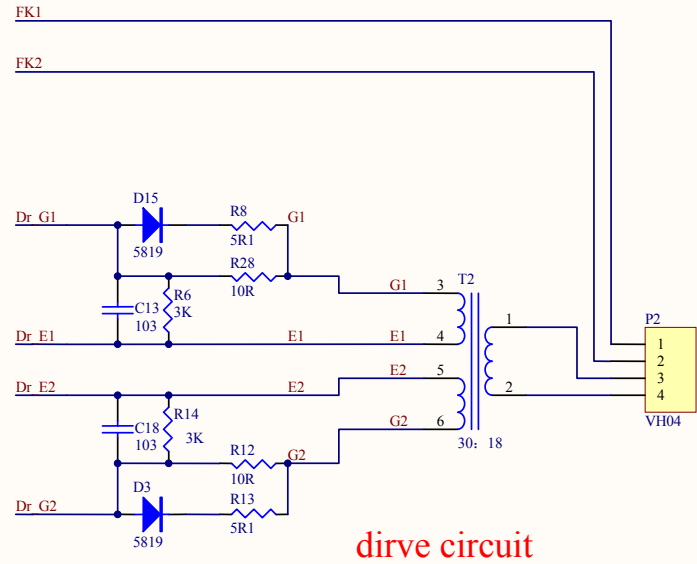
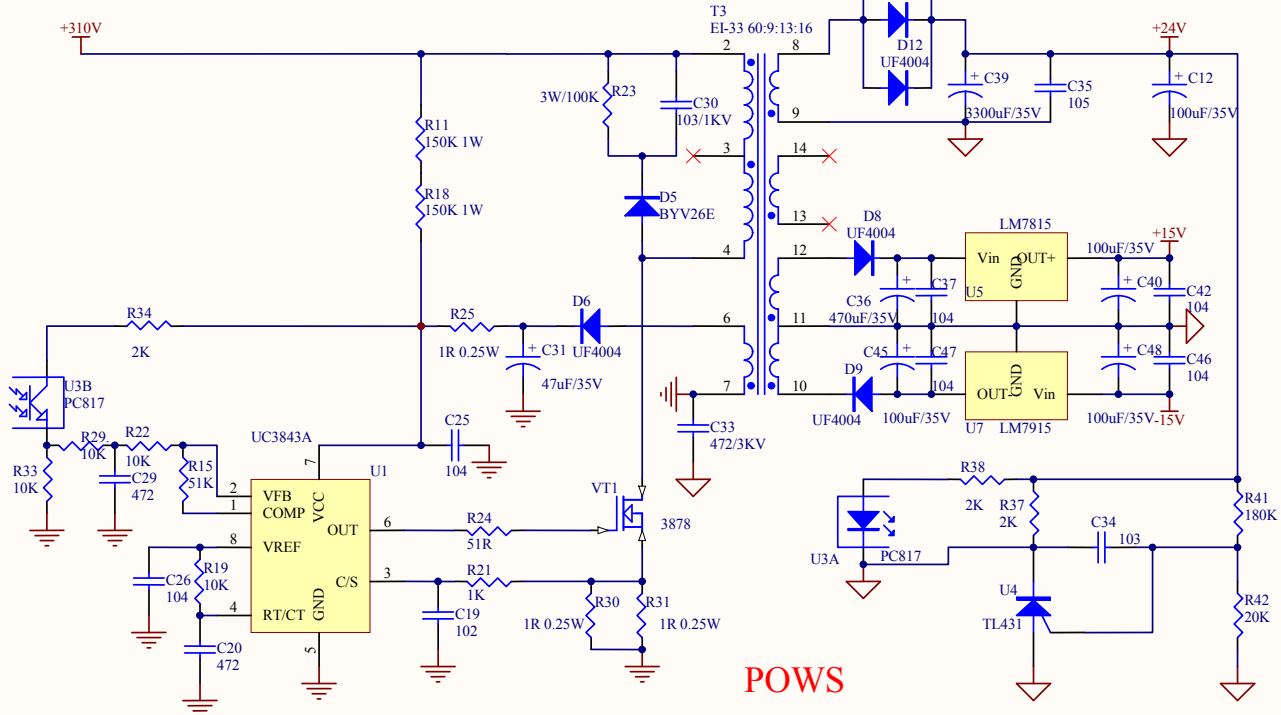


filter circuit

inverter circuit

rectifying circuit

POWS



dirve circuit

|       |                                   |
|-------|-----------------------------------|
| Title |                                   |
| Size  | Number                            |
| B     |                                   |
| Date: | 2016-11-24                        |
| File: | E:\panxing\JMIG-160N-180N main PC |